







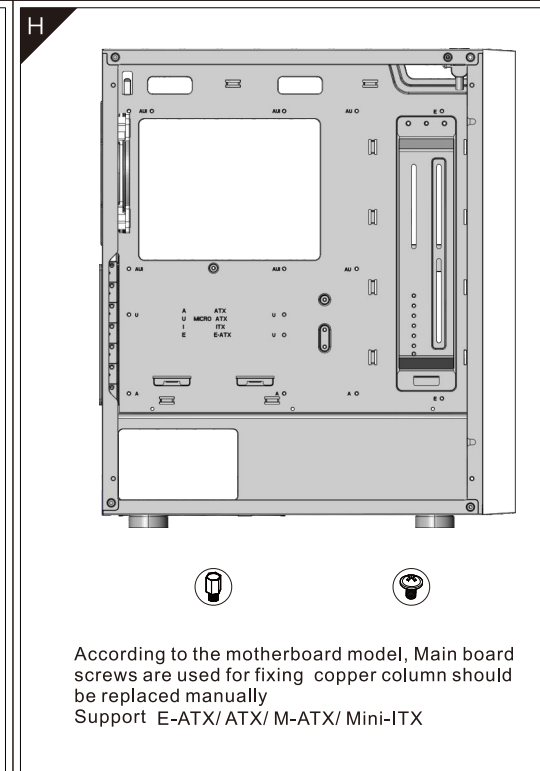
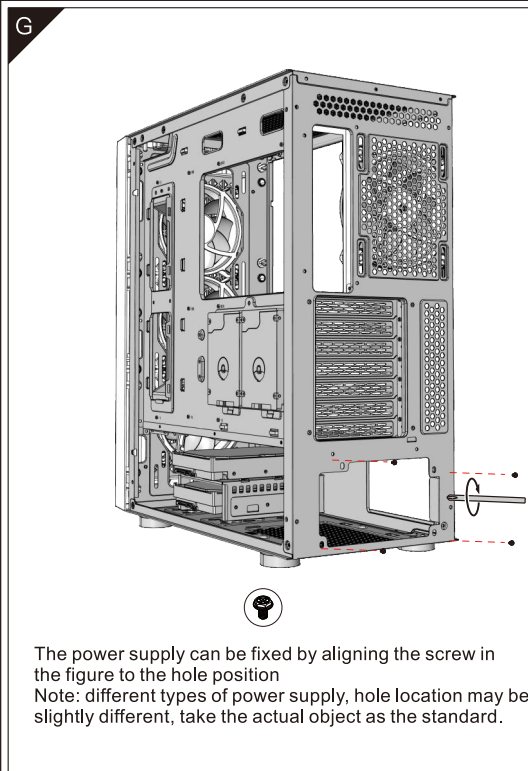
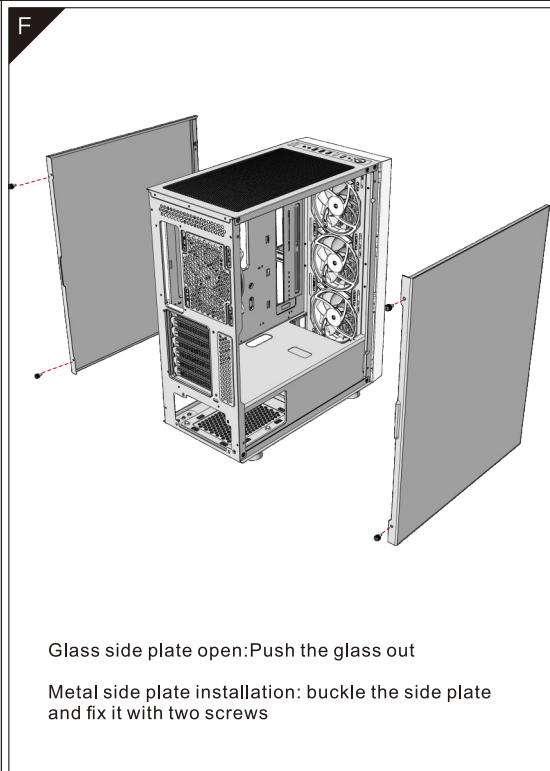
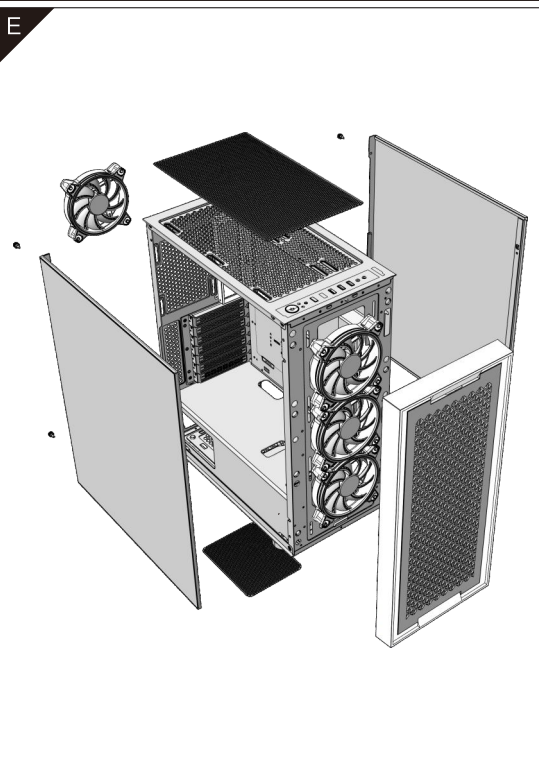
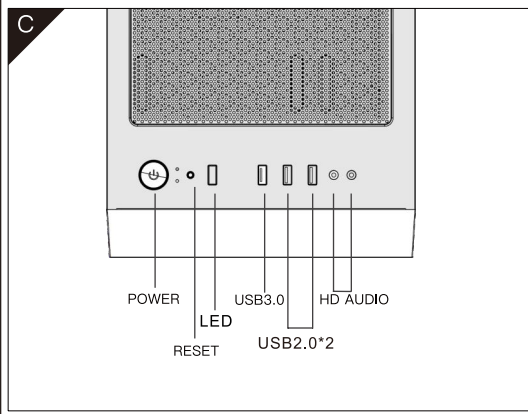
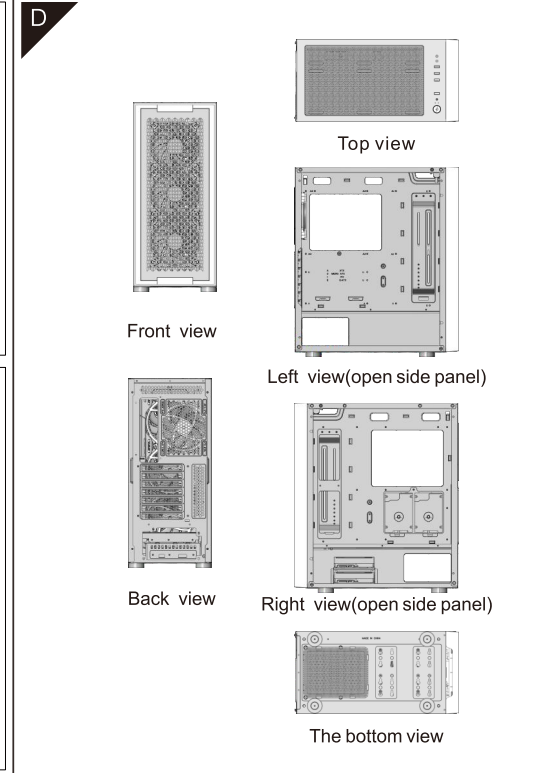
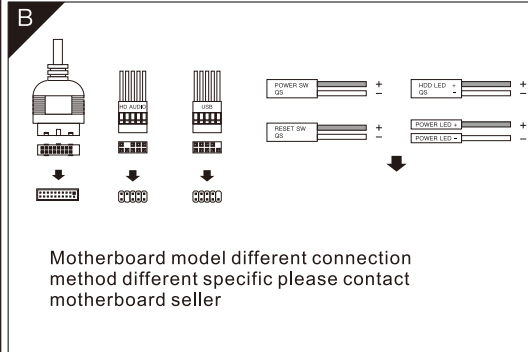


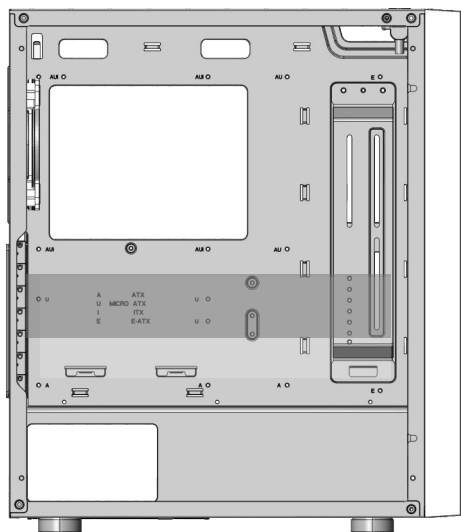
DUTZO C730 Mesh TG RGB

【operating manual】

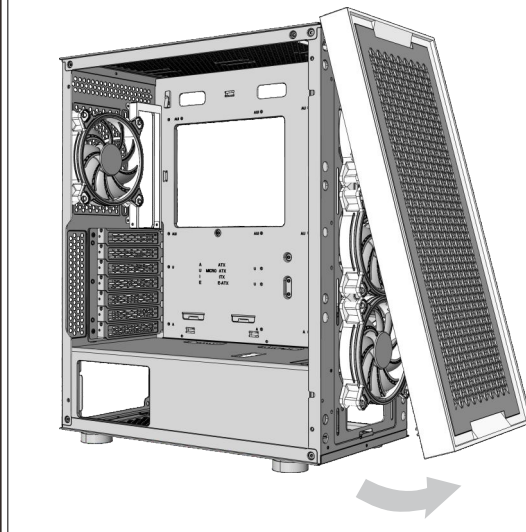
- A: Package details
- B: Schematic diagram of wire interface
- C: IO panel introduction
- D: Machine overview
- E: Chassis disassembly diagram
- F: Remove and install glass side panels
- G: The power supply installation
- H: Motherboard installation
- I: The graphics card installation
- J: Panel disassembly
- K: Fan installation
- L: Water cooling installation
- M: SSD installation
- N: HDD installation

 x17	 x 8	 x 8
Motherboard screw	The power screw	HDD screw
 x3	 x5	 x1
Copper pillar	Cable Tie	Lock pocket (10*17CM)

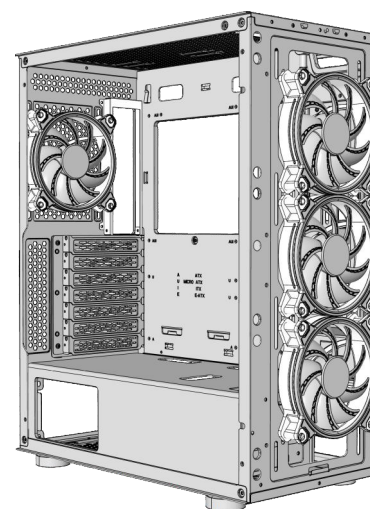




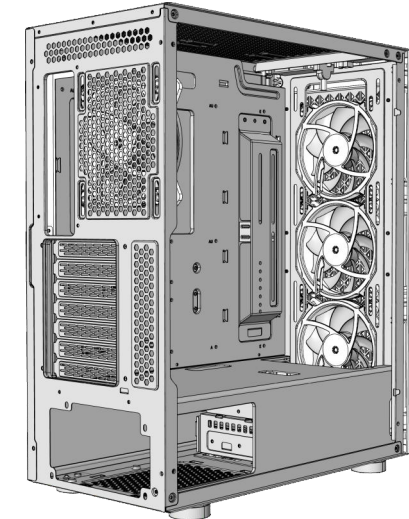
VGA limit long: 360MM



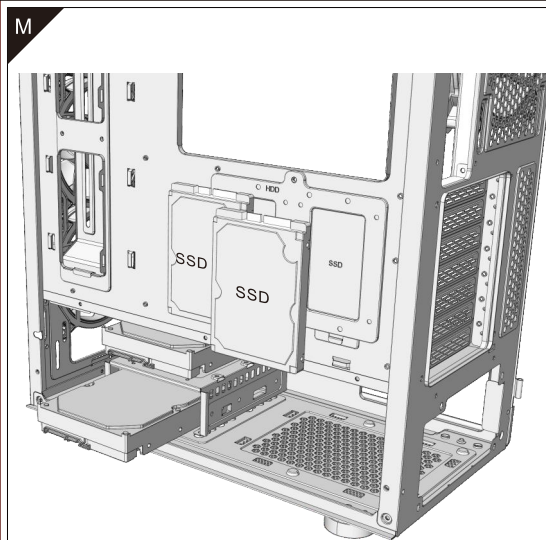
Remove the front panel of the case and open it by hand in the lower direction



Front: 3 x 120mm fan(included)
Rear: 1x 120mm fan(included)
Top: 2 x 120 /140mm fan(optional)

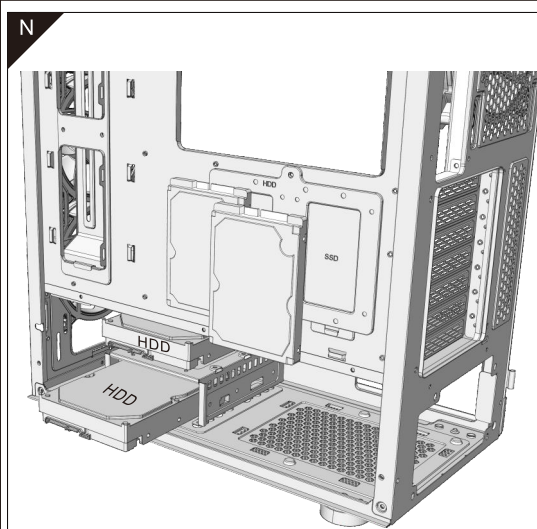


WaterCooling System: Front: 1 x 240/360mm
Top: 1 x 240mm
Rear: 1 x 120mm



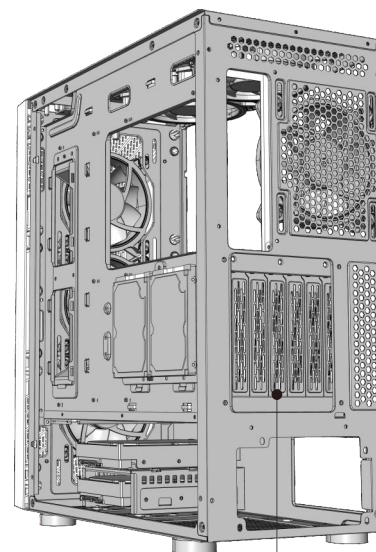
2.5 SSD x 2

Align the SSD with the screw hole and fix it with screws



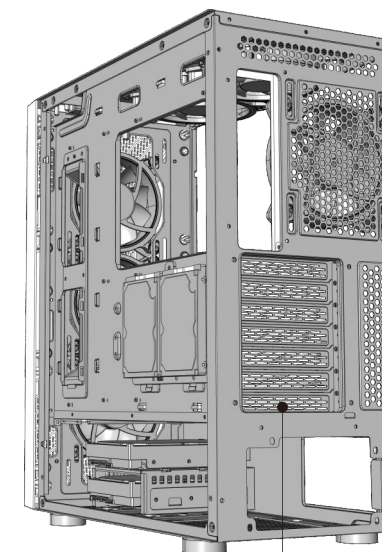
3.5 HDD x 2

Push the hard disk into the hard disk rack and secure it with screws



The PCI slot mounted vertically

NOTE: The PCI slot can be horizontal and can be mounted vertically



The PCI slot mounted horizontal

NOTE: The PCI slot can be horizontal and can be mounted vertically